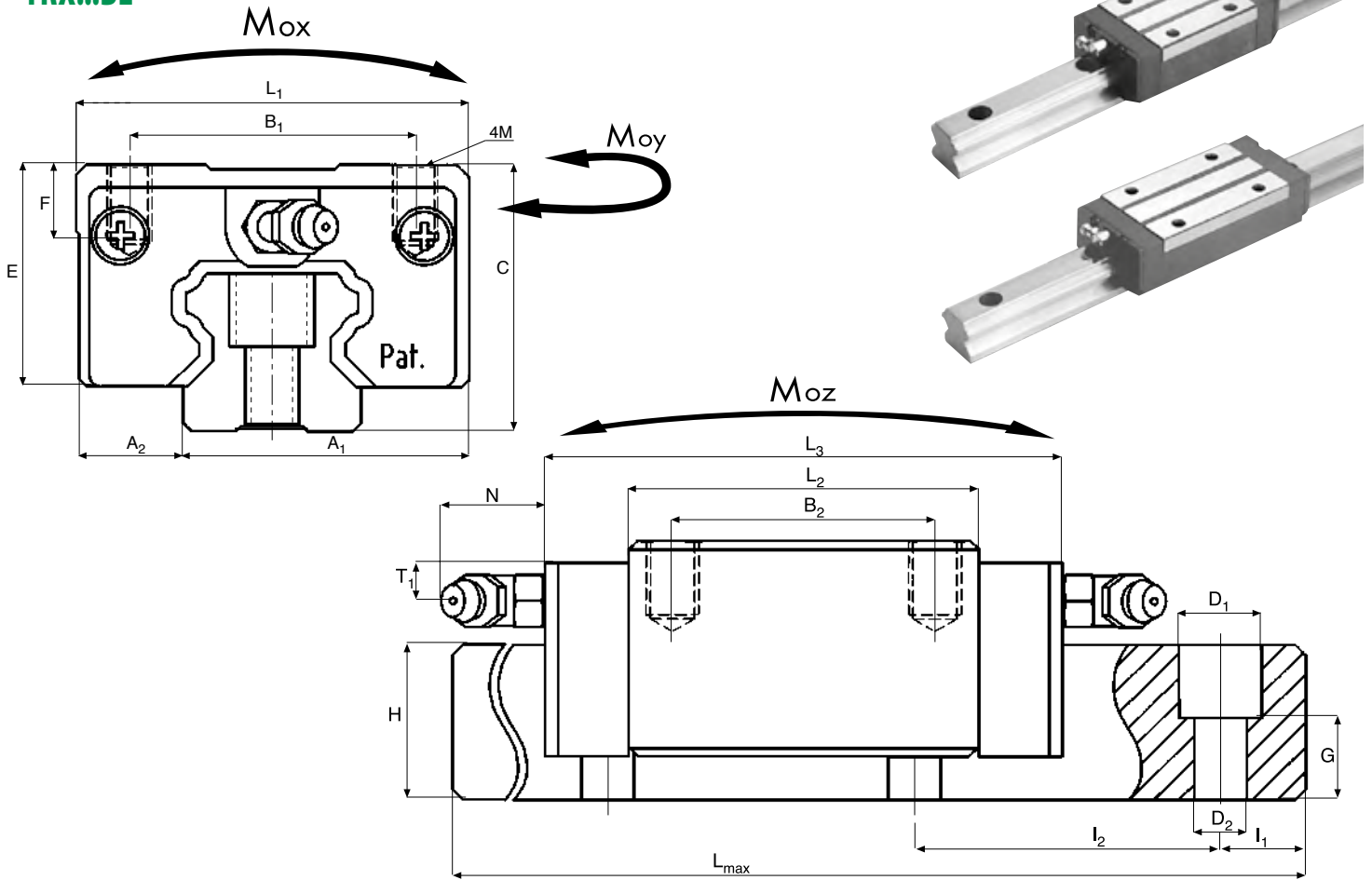


**TRX...B**  
**TRX...BL**



DIMENSIONI / DIMENSIONS																
CARRELLO BLOCK	Guida Rail	Tappo fori guida Rail holes cap	A <sub>1</sub> [mm]	A <sub>2</sub> [mm]	B <sub>1</sub> [mm]	B <sub>2</sub> [mm]	M [mm]	C [mm]	E [mm]	F [mm]	H [mm]	I <sub>1</sub> [mm]	I <sub>2</sub> [mm]	L <sub>1</sub> [mm]	L <sub>2</sub> [mm]	L <sub>3</sub> [mm]
TRX25B	BR25	C25	23	12.5	35	35	M 6x9.6	36	29	9.6	22	20	60	48	57	88
TRX25BL	BR25	C25	23	12.5	35	50	M 6x9.6	36	29	9.6	22	20	60	48	79.1	110.1

CARRELLO BLOCK	DIMENSIONI / DIMENSIONS									CARATTERISTICHE MECCANICHE MECHANICAL CHARACTERISTICS					PESO WEIGHT	
	Guida Rail	Tappo fori guida Rail holes cap	Foro lub. Oil hole [mm]	T1 [mm]	N [mm]	D <sub>1</sub> [mm]	D <sub>2</sub> [mm]	G [mm]	L <sub>max</sub> [mm]	C <sub>0</sub> [kN]	C [kN]	M <sub>0x</sub> [Nxm]	M <sub>0y</sub> [Nxm]	M <sub>0z</sub> [Nxm]	Pattino Block [kg]	Rotaia Rail [kg/m]
TRX25B	BR25	C25	-	5	16.8	11	7	13	4000	40	21.4	360	320	310	0.4	3.6
TRX25BL	BR25	C25	-	5	16.8	11	7	13	4000	56	29.9	504	449	434	0.5	3.6

(1) Misura consigliata. Altre misure a richiesta. In mancanza di specifica indicazione la misura I1 sarà uguale per entrambe le estremità.  
(1) Suggested dimension. Other dimensions on request. With no specific request, the I1 values on both ends will be the same.